

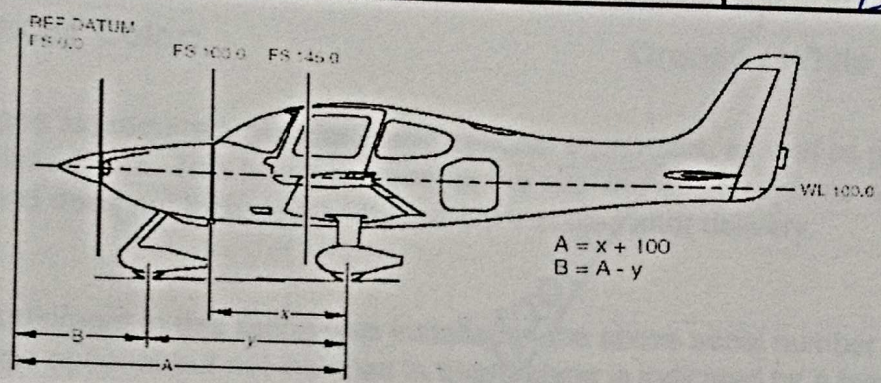
Cirrus Aircraft
SR22 Weights, Balance, and Equipment List



CIRRUS
AIRCRAFT

Factory Service Center
4514 Taylor Circle
Duluth MN, 55811
CRS # YD5R855Y

Date:	5/4/2010
Aircraft Reg:	N217ET
Aircraft S/N:	22-3637
Work Order:	13559-04-2010
Prepared by:	Evan Youngstrom
Initials:	EY



WEIGHING POINT	Scale Reading	Tare	Net Weight	ARM	MOMENT
Left Main					
Right Main					
Nose Gear					
Empty Weight Before Changes			2381.00	140.43	334362.00
			(%MAC)	15.37%	
			CG	F.S. 140.43	

Discriptions of Changes Made to the Aircraft are Entered in Below Along with the Weight and Arm Information

Installed KR87 ADF Receiver and Mounting Rack			3.20	120.00	384.000
Installed KA-44B ADF Antenna and Ground Plane			5.23	162.00	847.260
Installed ADF Antenna Cable and Wire Harness			0.80	149.30	119.440
Installed KN63 DME Receiver and Mounting Rack			3.05	118.00	359.900
Installed KA-61 DME Antenna			0.40	114.50	45.800
Installed DME Antenna Cable and Wire Harness			0.73	118.00	86.140
					0.000
					0.000
					0.000
					0.000
					0.000
					0.000

Net Weight added or lost	Weight	ARM	MOMENT
	13.41	137.40	1842.540
New Calculated Basic Empty Weight	Net Weight	ARM	TOTAL MOMENT
	2394.41	140.41	336204.540
	(%MAC)	15.33%	
	CG	F.S. 140.41	